

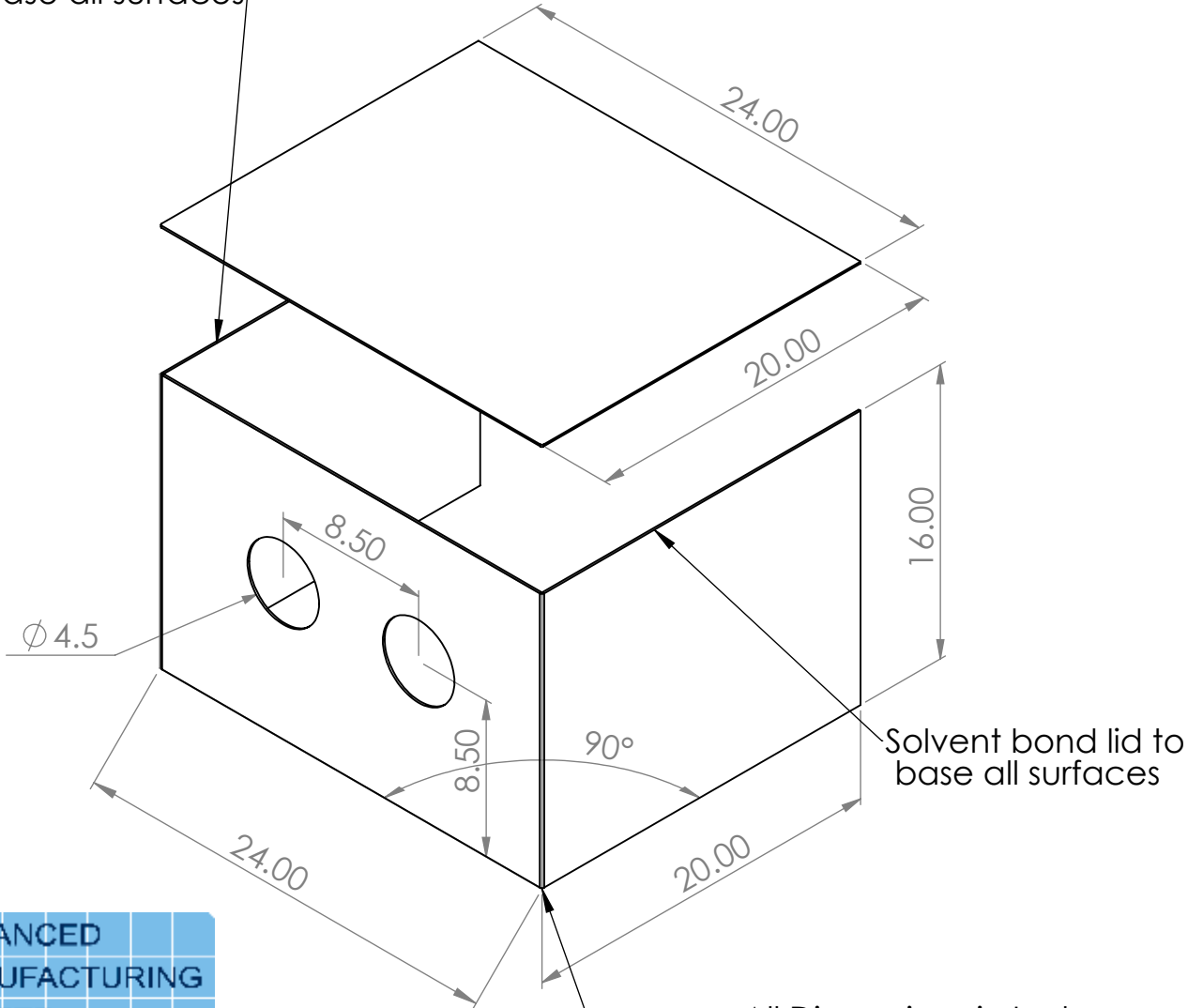
2

1

Solvent bond lid to base all surfaces

B

B



A

A



Bend 2 corners 90deg

All Dimensions in Inches  
Material 1/8 lexan or acrylic

**PROPRIETARY AND CONFIDENTIAL**  
 THE INFORMATION CONTAINED IN THIS DRAWING IS THE SOLE PROPERTY OF <COMPANY NAME>. ANY REPRODUCTION IN PART OR AS A WHOLE WITHOUT THE WRITTEN PERMISSION OF <COMPANY NAME> IS PROHIBITED.

		DIMENSIONS ARE IN INCHES TOLERANCES: FRACTIONAL ± ANGULAR: MACH ± BEND ± TWO PLACE DECIMAL ± THREE PLACE DECIMAL ±	NAME	DATE
		MATERIAL	DRAWN	
		FINISH	CHECKED	
NEXT ASSY	USED ON		ENG APPR.	
			MFG APPR.	
APPLICATION	DO NOT SCALE DRAWING		Q.A.	
			COMMENTS:	

**University Of  
Maine Advanced  
Manufacturing  
Center**

SIZE <b>A</b>	DWG. NO. box B	REV.
SCALE:1:10	WEIGHT:	SHEET 1 OF 1

2

1